

NEW! NMEA 2000 Certified.

## N2K SMART FUEL FILTER SYSTEM

WATER SEPARATOR  
INTEGRAL WATER PROBE

- NMEA 2000 Network – Plug and play.
- Water-in-fuel alerts sent to your multi-function display (MFD).
- ABYC H-24 Fire Test Certified – Mount anywhere.
- Electronics in stainless steel head – No extras to purchase.
- Save space – No special cabinet needed.
- 10 Micron Fuel Filter.



Fuel Flow Rating:  
180 GPH / 680 LPH



Signal Filters™ is also available with standard connectors & indicators.

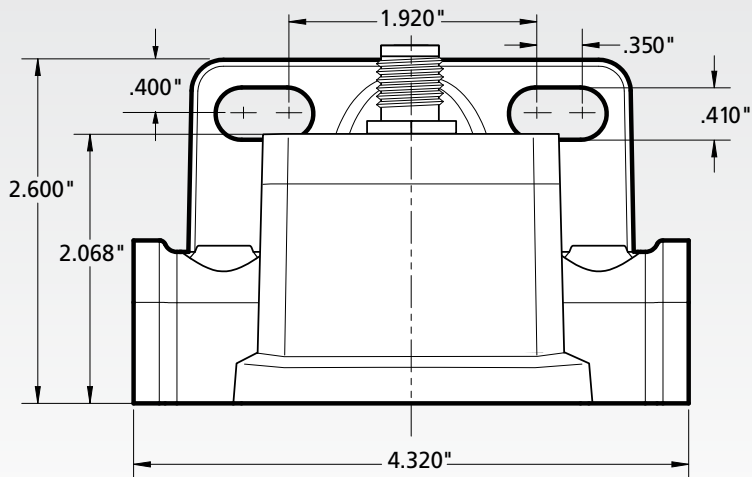


Signal Filters™ N2K is available in 3 filter lengths.



SignalFilters.com manufactures units based on filter media type and can size. Two for gasoline applications and a larger can size with drain cock for diesel applications. Applications that require a larger can size, custom filter heads or different media materials can be engineered upon request.

Signal Filters™ N2K specifications.



- Materials:** 316 Stainless Steel
- Connectors:** NMEA 2000 socket
- Mounting:** Industry Standard Mounting Holes  
*(compatible with most industry standard heads)*
- Filter Size:** 4", 6" and 8" *(with drain plug)*
- Made in the USA**

Go to website for more info: [SignalFilters.com](http://SignalFilters.com)

Signal Filters™ is a registered trademark of and manufactured by Entratech Systems LLC | [SignalFilters.com](http://SignalFilters.com)



Patented "Probe in Can™" Technology.

202 East Fox Road  
Sandusky, Ohio 44870

419.433.7683  
Sales@SignalFilters.com

