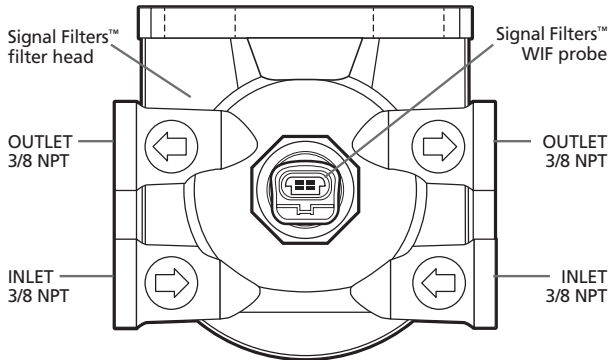


SMART FUEL FILTER

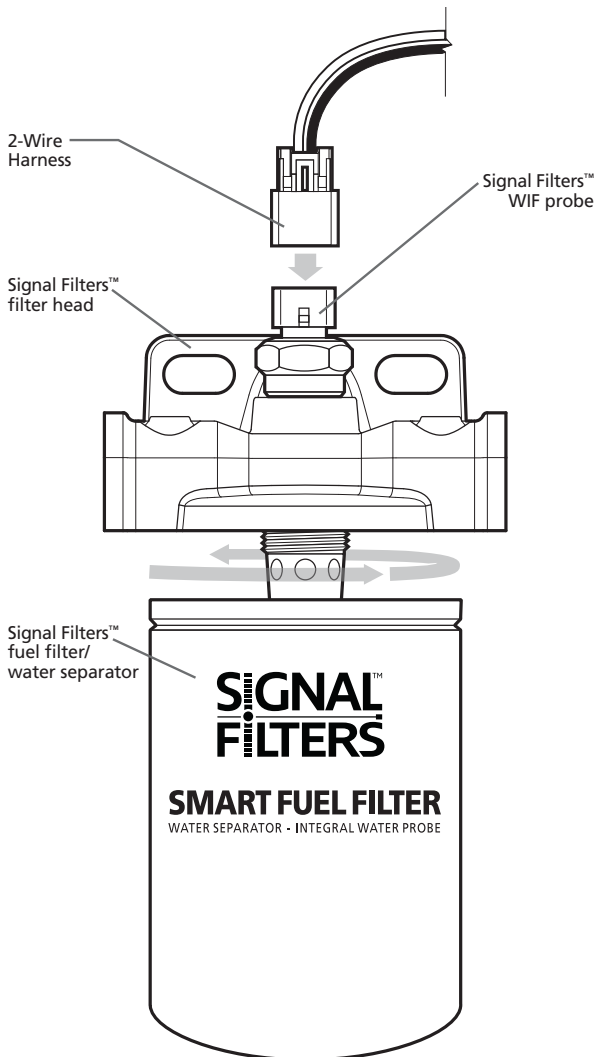
FUEL FILTER - WATER SEPARATOR - INTEGRAL WATER PROBE

SFK AG1 SS

TOP VIEW



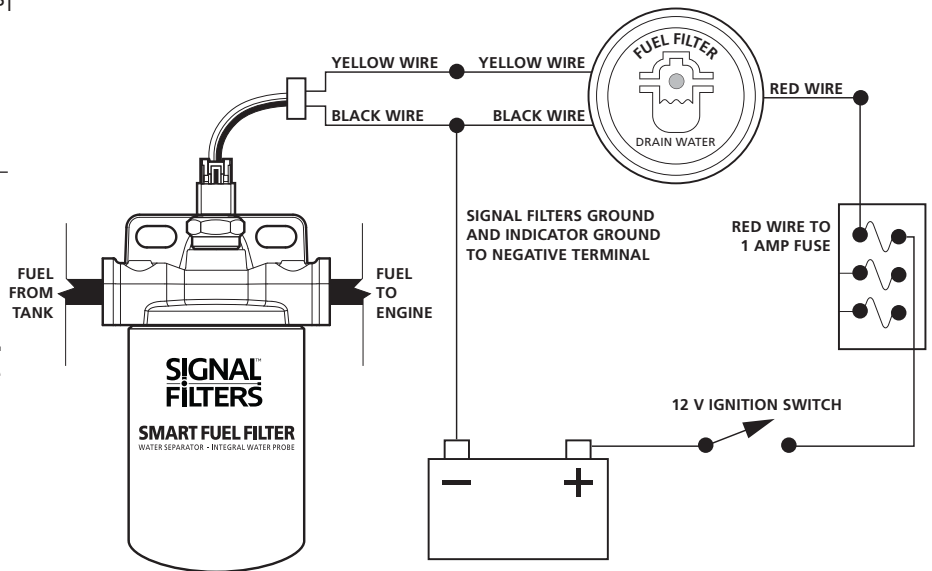
FRONT VIEW



BEFORE INSTALLING:

1. Be sure engine is turned off and fuel hoses are temporarily clamped tight.
2. Be sure to follow all OSHA safety precautions before installing the Signal Filters™ fuel filter system.

INSTALLATION DIAGRAM:



FILTER HEAD INSTALLATION:

1. Connect fuel hose from fuel tank to Signal Filters™ filter head INLET.
2. Connect fuel hose from Signal Filters™ filter head OUTLET to engine.
3. Insert plugs for unused INLET and OUTLET.
4. Connect Wire harness to WIF probe on Signal Filters™ filter head.
5. YELLOW WIRE from Signal Filters™ HARNESS connects to YELLOW WIRE from indicator.
6. BLACK WIRE from Signal Filters™ HARNESS connects to BLACK WIRE from INDICATOR to negative terminal on battery (Ground).
7. RED WIRE from INDICATOR connects to 1 AMP FUSE.

See wiring diagram above for complete electrical connections.

Go to website for more info: SignalFilters.com

Signal Filters™ is a registered trademark of and manufactured by Entratech Systems LLC | SignalFilters.com